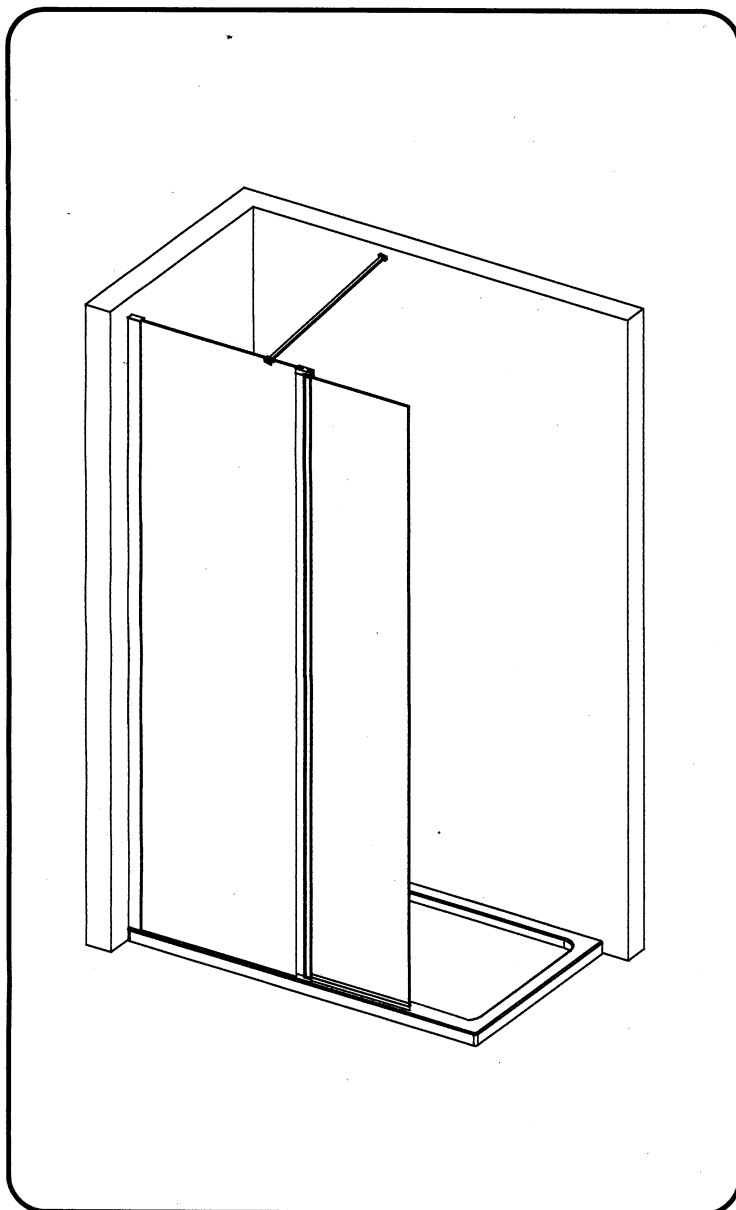


OCEANA

SAPPHIRE

SAPPHIRE 8mm HINGED PANEL 300mm

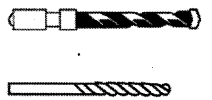
INSTALLATION INSTRUCTIONS



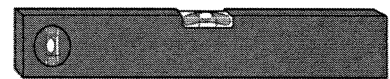
Tools Required



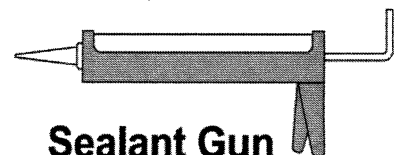
Drill



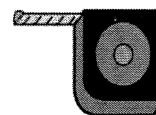
6mm Masonry Drill
3.2mm HSS Drill



Spirit level



Sealant Gun



Tape Measure



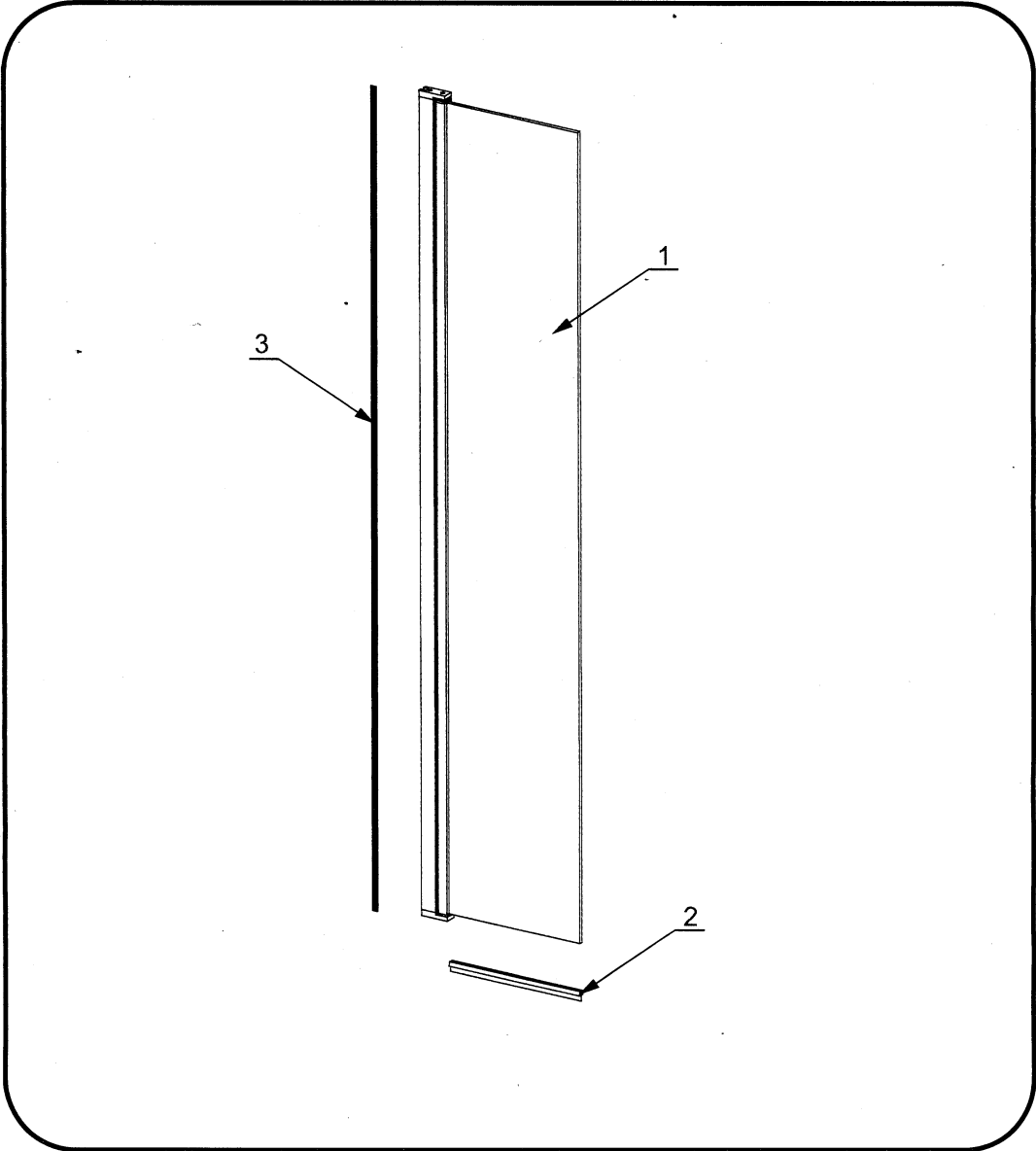
Pencil



**PH2 TYPE
Screwdriver**

Please not hand tools **NOT** supplied.

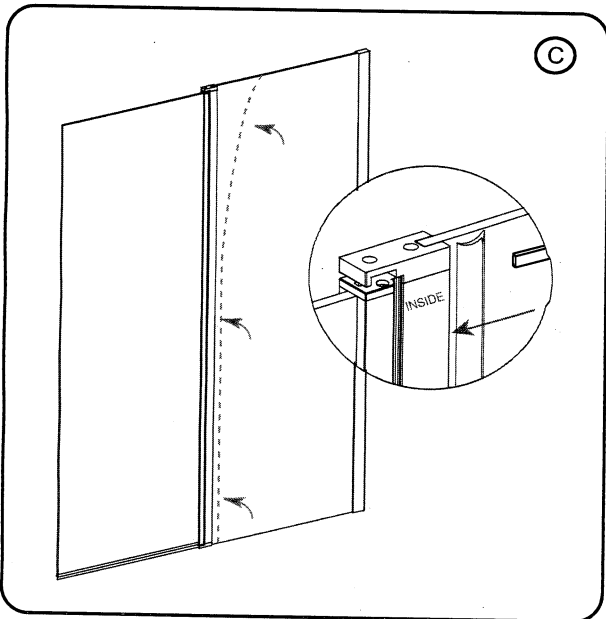
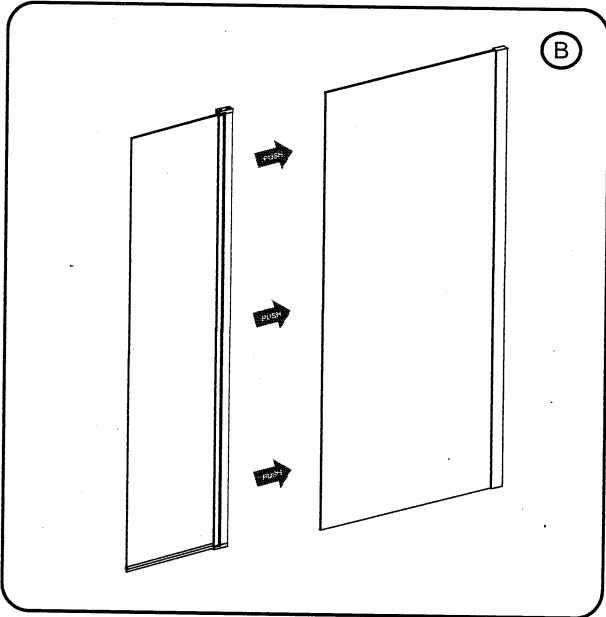
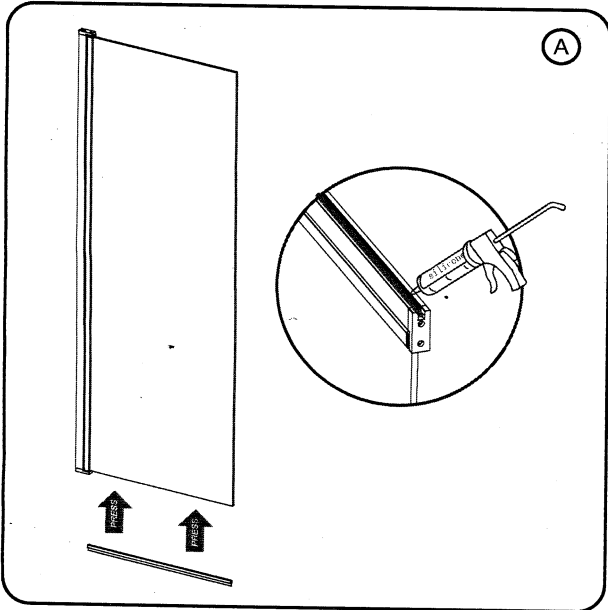
Components And Box Contents



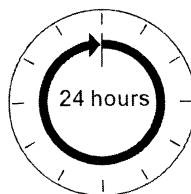
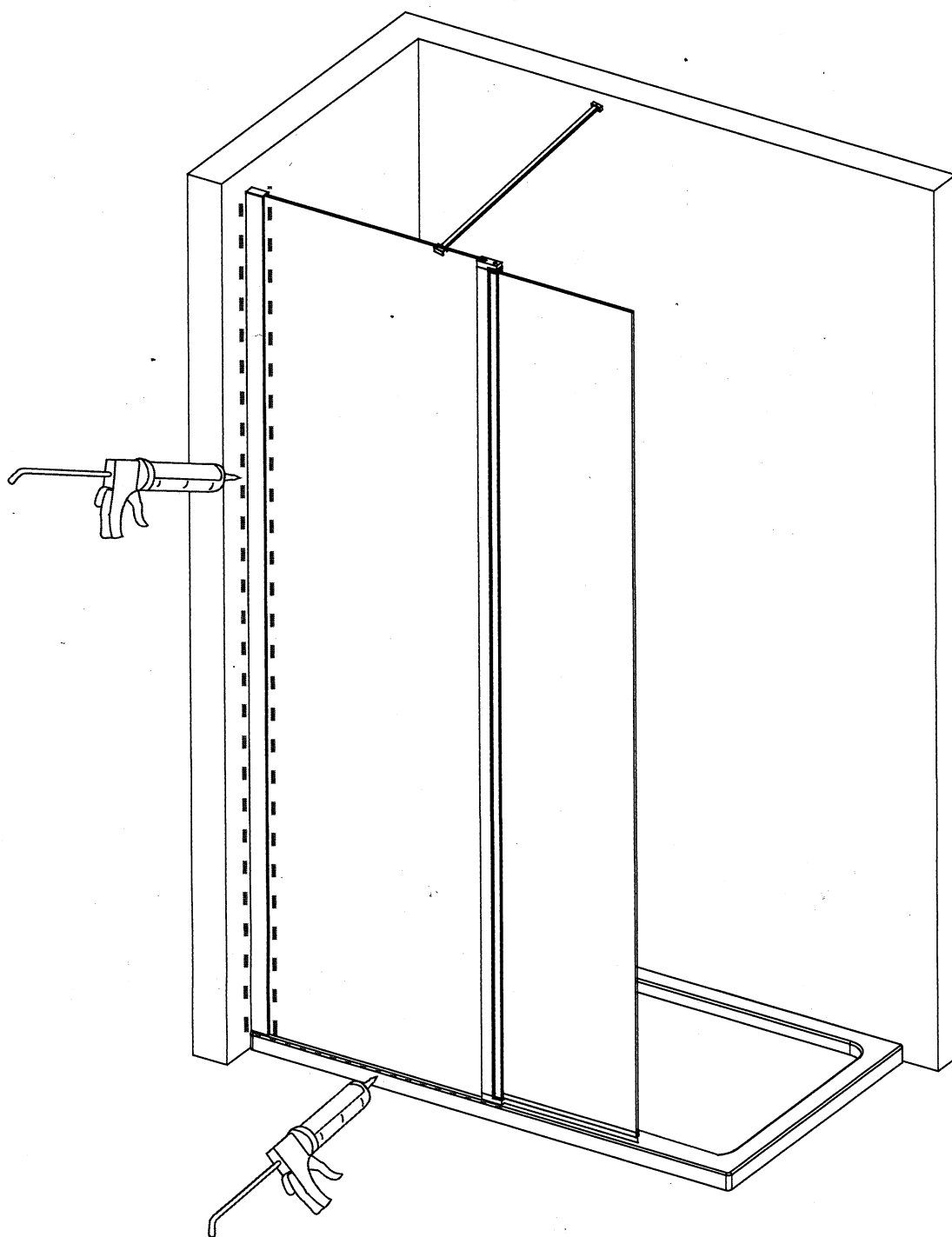
NO.	Code	Description	Qty
1	BNSA030HS-01	Return Panel	1
2	BNSA030HS-02	Bottom Seal	1
3	BNSA030HS-03	Ertical Seal	1

Installation Steps

Step 1



Step2



Allow 24 hours for silicone to dry before use.

Silicone on the outside edge only